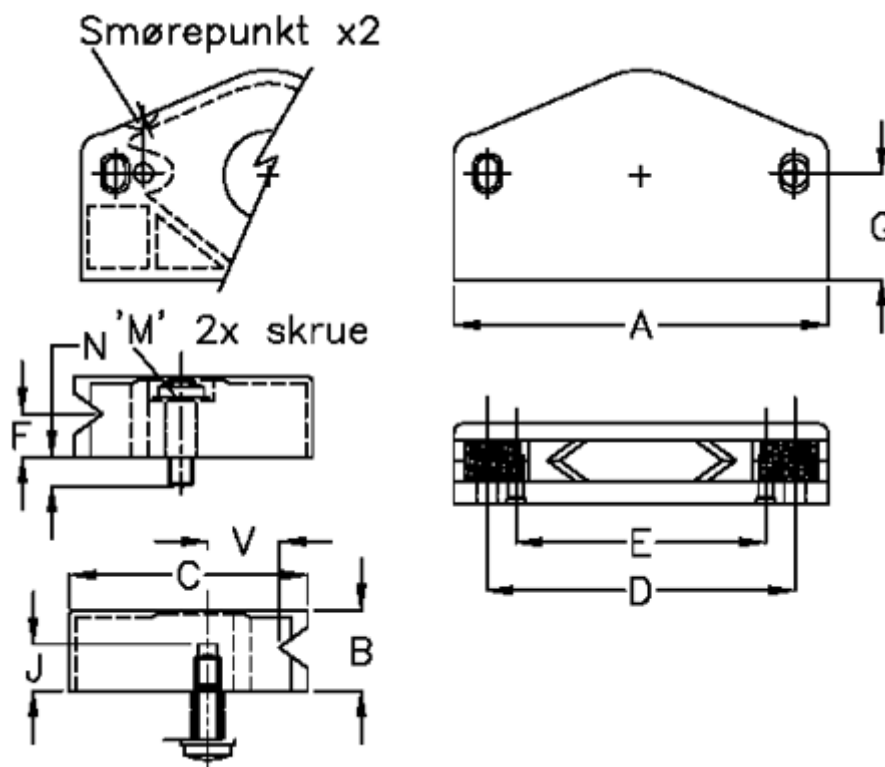


Article number: 059041580

Description: Hepco cap seal CW 580

Measures



A = 106	M	= M5x25
B = 25.0	N	= 4.0
C = 63.3	V	= 23.0
D = 90	Weight kg/1000 = 0.055	
E = 74.0		
F = 14.3		
G = 31.8		
J = 18.0		